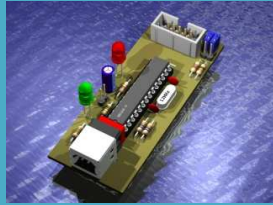

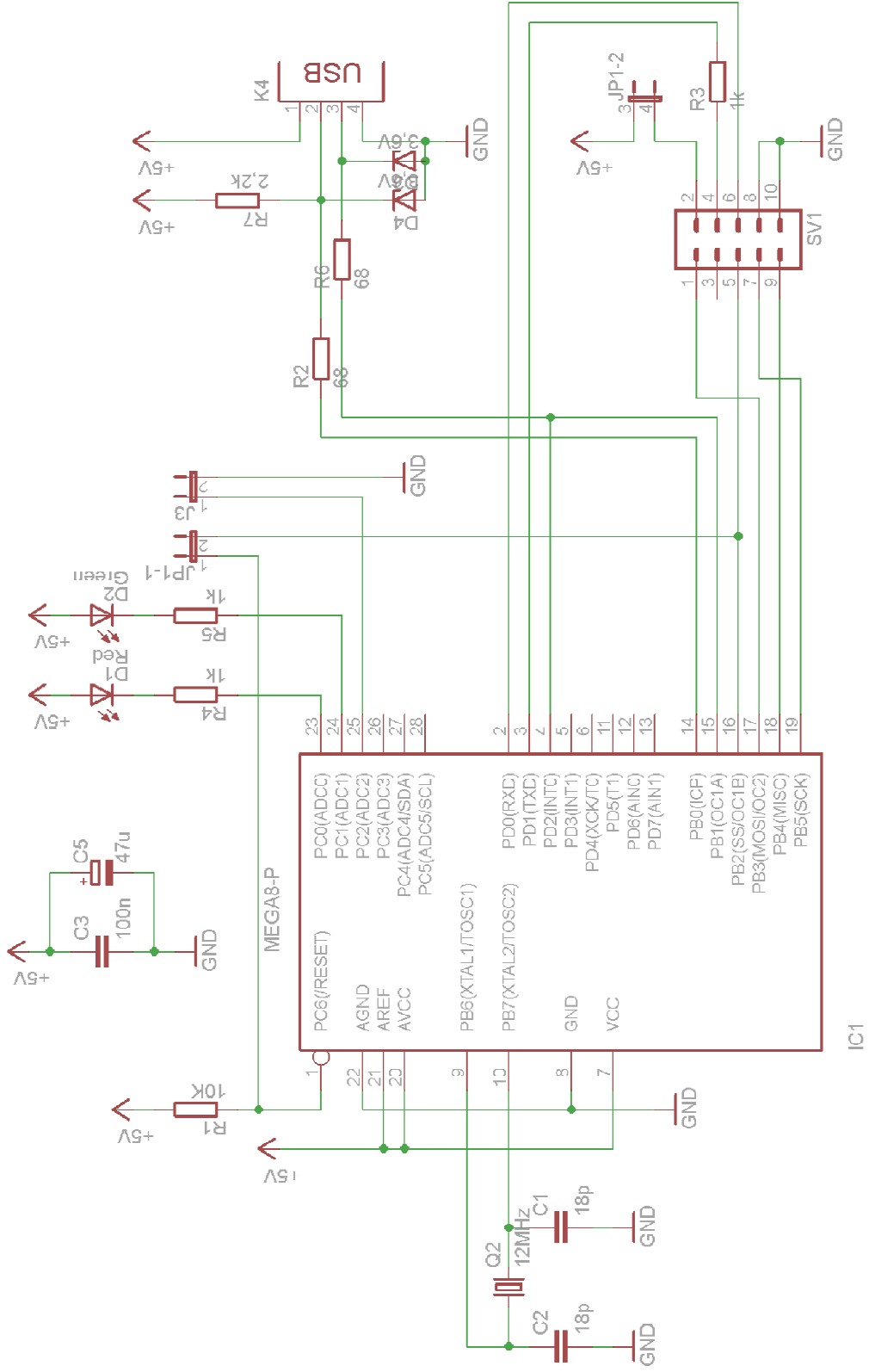
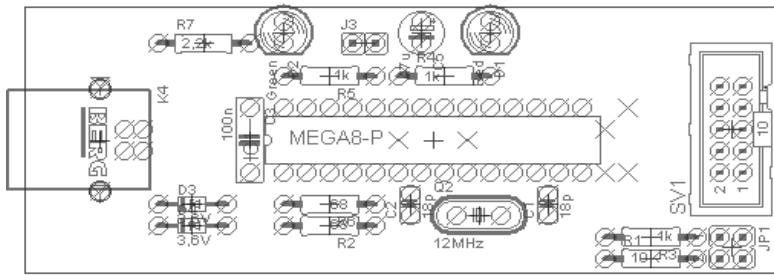


PARTS FOR ATMEGA PROGRAMER



1		RESISTORS	Est. Price / pc	Costs
No Value		QTTY		
1	68	2	PLN 0.03	PLN 0.06
2	1k	3	PLN 0.03	PLN 0.09
3	2k2	1	PLN 0.03	PLN 0.03
4	10k	1	PLN 0.03	PLN 0.03
2		CAPACITORS		
No Value		QTTY		
1	18p - CERAMIC	2	PLN 0.05	PLN 0.10
2	100n - POLYPROPYLEN	1	PLN 0.84	PLN 0.84
3		ELECTROLYTIC CAPACITORS		
No Value		QTTY		
1	47u	1	PLN 0.24	PLN 0.24
4		DIODES		
No Type		QTTY		
1	3V6 - ZENER	2	PLN 0.20	PLN 0.40
2	LED 5mm - GREEN	1	PLN 0.27	PLN 0.27
3	LED 5mm - RED	1	PLN 0.27	PLN 0.27
5		CONNECTORS		
No Type		QTTY		
1	JUMPER (2 pin)	1	PLN 0.32	PLN 0.32
2	JUMPER (2x2 pin)	1	PLN 0.32	PLN 0.32
3	SCP (2x5 pin)			
		1	PLN 0.99	PLN 0.99
4	USB type "B"	1	PLN 1.60	PLN 1.60
6		OTHER		
No Name		QTTY		
1	ATMEGA8-16PU	1	PLN 7.31	PLN 7.31
2	DIL28W - Mounting Bracket	1	PLN 0.50	PLN 0.50
3	QUARTZ 12.000MHz	1	PLN 2.60	PLN 2.60
			Total:	PLN 15.97





Part	Value	Package	Library	Positi	on (mm)	Orientation
C1	18p	C025-024X044	rcl	(57.15	7.62)	R90
C2	18p	C025-024X044	rcl	(41.91	7.62)	R90
C3	100n	C7.5B3	capacitor	(24.13	15.24)	R270
C5	47u	E2,5-5	rcl	(43.18	27.94)	R270
D1	Red	LED5MM	led	(50.8	27.94)	R270
D2	Green	LED5MM	led	(27.94	27.94)	R270
D3	3,6V	DO34Z7	diode	(17.78	7.62)	R0
D4	3,6V	DO34Z7	diode	(17.78	5.08)	R0
IC1	MEGA8-P	DIL28-3	atmel	(44.45	15.24)	R0
J3		JP1	jumper	(36.83	26.67)	R270
JP1		JP2Q	jumper	(77.47	2.54)	R270
K4	USBB	PN61729	con-berg	(7.62	15.24)	R270
Q2	12MHz	HC49/S	crystal	(49.53	6.35)	R0
R1	10K	0207/10	rcl	(68.58	1.27)	R0
R2		68 0207/10	rcl	(33.02	5.08)	R180
R3	1k	0207/10	rcl	(68.58	3.81)	R180
R4	1k	0207/10	rcl	(45.72	22.86)	R0
R5	1k	0207/10	rcl	(33.02	22.86)	R180
R6		68 0207/10	rcl	(33.02	7.62)	R180
R7	2,2k	0207/10	rcl	(19.05	26.67)	R0
SV1	10pin	ML10	con-hartir	(77.47	16.51)	R90

